

Certificates

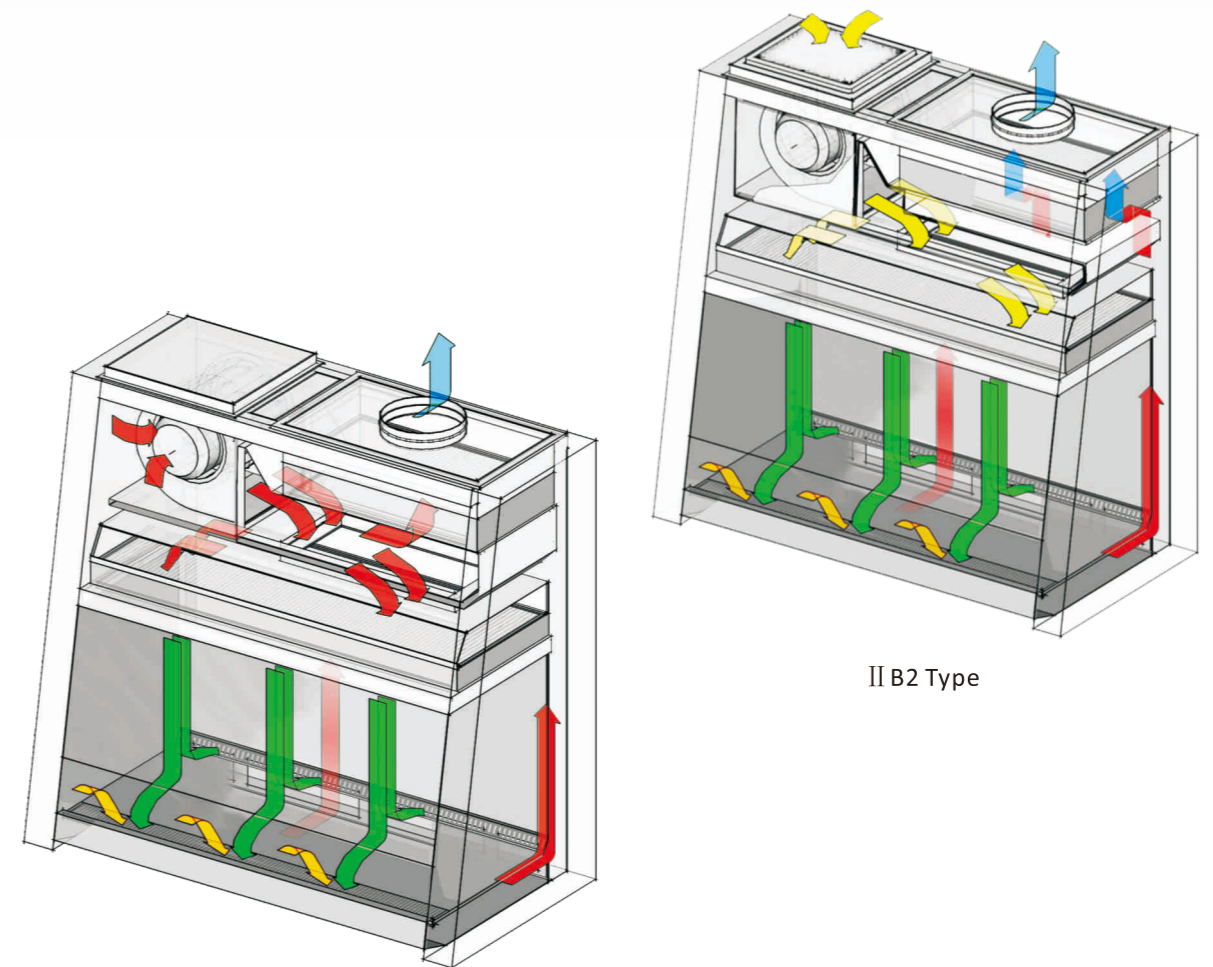
We have produced Biosafety Cabinet for more than 30 years. We participated in editing of National & Industry Standards. This product is designed, manufactured and tested strictly according to CFDA YY0569, NSF/ANSI49, EN12469 and JIS K3800. SAT has built a unique Microbiological testing laboratory validated by foreign specialists in national bio-safety industry. Its personnel are specially trained in international organization, which ensure the quality of the product. Our products got CFDA certificates, TÜV CE certificates and NSF certificates.



Biosafety Cabinet Introduction

Biosafety Cabinet is a personnel safety and protection facilities that shall control the polluted aerosol emission as the first barrier to keep the operator or environment away from its hazards. Biosafety Cabinet can be divided into three kinds: Class I , Class II and Class III. The most widely used is Class II A2 type: 30% exhaust, 70% air circulate. Class II B2 type: 100% air exhaust.

Air Flow Pattern



■ Inflow air
 ■ Downflow air
 ■ Circulation air
 ■ Exhaust air



NSF/ANSI 49

SAT's Biosafety Cabinet are independently tested and certified to NSF/ANSI 49 standard by NSF, a leading testing agency in the USA.



EN12469

SAT's Biosafety Cabinet are independently tested and certified to EN12469 standard by TÜV, a leading testing agency in Europe.



JACA

SAT's Biosafety Cabinet are independently tested and certified to JISK3800 standard by JACA, a leading testing agency in the Japan.



YY0569

SAT's Biosafety Cabinet are independently tested and certified to YY0569 standard by CFDA, China Food and Drug Administration.



ISO13485/ISO9001/ISO14001/ISO45001

SAT's Design, Development, Production and Service of products are certified to ISO9001 & ISO13485 standard, the quality management system.

Classification

		Type A2	Type B2
Protection type	Product Protection	●	●
	Personnel Protection	●	●
	Cross-contamination Protection	●	●
Application field	Tissue culture	●	●
	Cell culture	●	●
	Blood elements analysis	●	●
	QA/QC	●	●
	Genetic engineering	●	●
	Antitumor drug preparation	●	●
	Minute quantities of volatile toxic chemicals	—	●
	Trace amount of radioactive substance	—	●
	Toxic powder and suspended solids	—	●

	Series	01	02	03	04
Collection	DC blower	●	●	●	●
	Energy-saving mode	—	—	—	●
	Filter life indication	—	—	—	●
	Spare sockets	●	—	●	●
	Spare valve	○	○	○	○
	Service fixture	○	○	○	●
	Easy clean window design	—	—	—	●
	Side glass	—	—	○	—
	Electrical window	—	—	○	—
	Armrest	○	○	○	○
	Adjustable Support	○	○	○	●
	Stands separated	○	○	●	○
	Color screen	—	—	—	●
Certificates	NSF	●	●	—	—
	TÜV	—	—	●	—
	CFDA	—	—	—	●
	CE	—	—	●	●

○ Optional

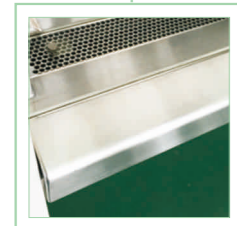
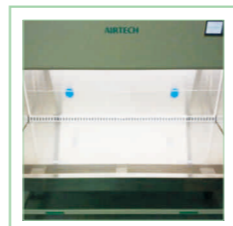
Features

- Accord with the regulation of Class II, Type A2 Biosafety Cabinet in YY0569 in Chinese CFDA, in American NSF/ANSI49, in Europe TÜV-EN12469 or in Japan JACA-JISK3800.
- HEPA and ULPA filter with NO LEAKING (unique technology) in air supply and exhaust system, ensure the cleanliness of ISO Class 5 (Class 100) or ISO Class 4 (Class 10).
- Negative pressure and double layers chamber around ensure non-leakage, non-pollution.
- Photoelectric alarm for sliding window
HEPA filter life and blocking alarm system
Fan running state and trouble alarm system
- Interlocked light and sterilizing
UV with set timer, safer and high efficiency
- Intelligent auto-supply system of imported blower ensures the change of air volume less than 10% when the resistance of filter increases 50% and enhance safety.
- Leak detection in cabinet, no leakage at 500Pa.
- Leak detection in HEPA/ULPA filter, leaking ratio is $\leq 0.01\%$ (scanned), $\leq 0.005\%$ (not scanned).



Features

- 10°sloped front make it comfortable to operator.
- Negative pressure and double layers chamber around ensure non-leakage, non-pollution.
- Front window adopts hanging lifting system and more than 5mm thickness security glass with arbitrary positioning, high stability and convenient to sterilization when it closed.
- Non-obstructive air return mode in the front suction channel.
- Demountable circular-arc armrest can alleviate working tiredness and make it easy to transport.
- Human-computer interface, soft touch control with LCD, showing the running state of BSC and real-time monitoring the operational parameters.
- Anti-splash safety spare sockets and junction valve
- Movable stainless steel worktable 4 liter capacity stainless steel collecting tank with below down valve, easy to collect water, cleaning and disinfection.
- The body and stands are separated, easy to transport and can adjust levelness and stability.
- With adjustable stands foot, manual adjust the products height to meet the operator's requirement.
- Fully fashioned workspace structure of SUS304 circular arc angle easy clean.
- High grade steel with static powder coating, well corrosion resistant ability. Streamline form shape decrease interference of airflow .
- Easy clean window design



Component



Fan

- Unique DCBL fan and DSC full digital speed control system, precise control system running state.
- DCBL fan and LED light make the operation power consumption save 30%.
- Intelligent auto-supply system of imported blower ensures the change of air volume less than 10% when the resistance of filter increases 50% and enhance safety.

Filters

- USA HV ULPA Filter Medium, provide 99.9995% typical efficiency for particle size over 0.3 microns, and the materials is glass fiber.
- A minimum ISO Class 4 air quality in the work area
- Non leakage unique technology
- Showing the state of ULPA filter on the control panel with leakage and blocking alarm



Control Panel

- Human-computer interface, soft touch control with LCD, showing inflow and down flow air velocity, blower and ULPA Filters running and real-time monitoring the operational parameters.

Related Accessories

Quick-wear Parts:

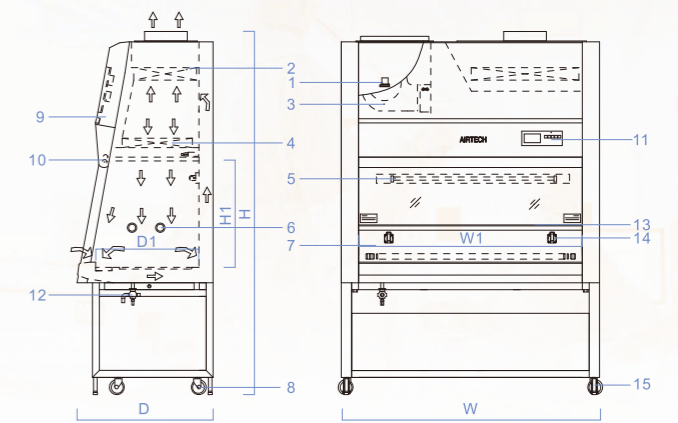
- UV Light
- LED Light



Other Parts:

- HEPA
- Water valve
- Gas valve
- Vacuum valve
- Adjustable support
- Armrest

BSC-1004/1304/1604/1804IIA2 Biosafety Cabinet

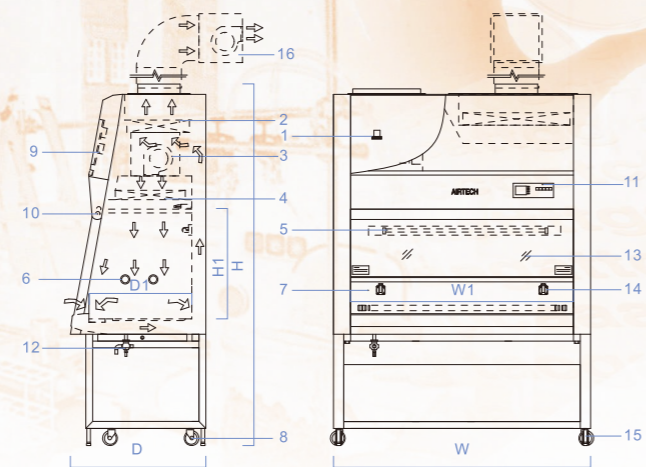


- | | | |
|---------------------|--------------------|------------------------------|
| 1. Power Switch | 6. Service Fixture | 11. Control Panel |
| 2. Air Exhaust ULPA | 7. SUS Chamber | 12. Blowoff Valve |
| 3. Fan Unit | 8. Universal Wheel | 13. Sliding Door |
| 4. Air Supply ULPA | 9. Elec. Box | 14. Spare Socket |
| 5. UV Lamp | 10. Light | 15. Adjustable Leveling Foot |

Specification

Model	BSC-1004IIA2	BSC-1304IIA2	BSC-1604IIA2	BSC-1804IIA2
Nominal Size	1 meter (3')	1.3meter (4')	1.6meter (5')	1.8meter (6')
Filtration Efficiency	ULPA: ≥99.9995%, @0.12μm			
Downflow Velocity	0.35 m/s (68.88fpm)			0.33 m/s (64.94fpm)
Inflow Velocity	0.55 m/s (108.24fpm)			0.53 m/s (104.30fpm)
Noise	58-65 dB(A)			
Vibration	≤5 μm(center of table top)			
Power Supply	AC220V, 1Φ, 50Hz			
Opening Height	200mm			
Personnel Protection	A.Total colony in impaction sampler ≤10CFU./time B.Total colony in slot sampler ≤5CFU./time			
Product Protection	Total colony in culture dish ≤5CFU./time			
Cross-contamination Protection	Total colony in culture dish ≤2CFU./time			
Max Consumption (with spare socket)	1.65 kVA	1.75 kVA	1.85 kVA	1.85 kVA
Rated Power (without spare socket)	0.33 kVA	0.43 kVA	0.53 kVA	0.53 kVA
Weight	260 kg	300 kg	360 kg	400 kg
Work Dimension (W1xD1xH1)	1004x630x630 mm (39.5"x24.8"x24.8")	1304x630x630 mm (51.3"x24.8"x24.8")	1604x630x630 mm (63.1"x24.8"x24.8")	1804x630x630 mm (71.0"x24.8"x24.8")
Overall Dimension (WxDxH)	1200x795x2050 mm (47.2"x31.3"x80.7")	1500x795x2050 mm (59.1"x31.3"x80.7")	1800x795x2050 mm (70.9"x31.3"x80.7")	2000x795x2050 mm (78.7"x31.3"x80.7")
Size and Qty. of Light	LED 24.5 W x ①	LED 31 W x ①	LED 36 W x ①	LED 36 W x ①
Size and Qty. of UV Light	18 W x ①	30 W x ①	36W x ①	36 W x ①
Lumin.	≥900 Lx			
Cabinet Materials	High-grade steel and lacquered in ivory			
Working Area Materials	SS304 fully finished			
Air Direction	Top out			
Plug Style	Chinese Type (AC 250V/10A)			
Qty of Spare Socket	Chinese Type (AC 250V/3A) 2 units			

BSC-1004/1304/1604/1804IIB2 Biosafety Cabinet

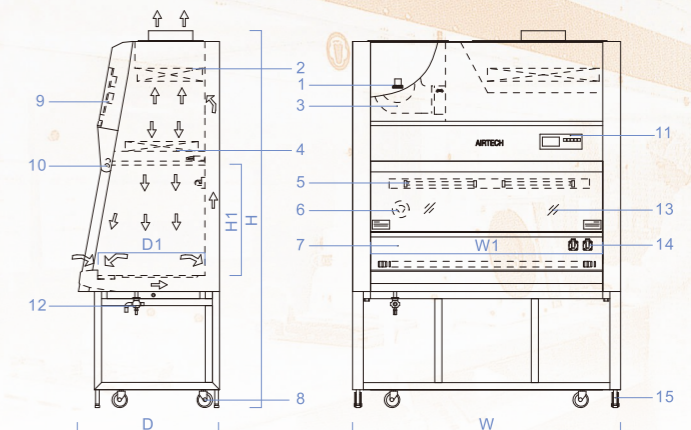


- | | | |
|---------------------|--------------------|------------------------------|
| 1. Power Switch | 7. SUS Chamber | 13. Sliding Door |
| 2. Air Exhaust ULPA | 8. Universal Wheel | 14. Spare Socket |
| 3. Fan Unit | 9. Elec. Box | 15. Adjustable Leveling Foot |
| 4. Air Supply ULPA | 10. Light | 16. Air Exhaust System |
| 5. UV Lamp | 11. Control Panel | |
| 6. Service Fixture | 12. Blowoff Valve | |

Specification

Model	BSC-1004IIB2	BSC-1304IIB2	BSC-1604IIB2	BSC-1804IIB2
Nominal Size	1 meter (3')	1.3meter (4')	1.6meter (5')	1.8meter (6')
Filtration Efficiency	ULPA: ≥99.9995%, @0.12μm			
Downflow Velocity	0.35 m/s (68.88fpm)			
Inflow Velocity	0.55 m/s (108.24fpm)			
Noise	58~65 dB(A)			
Vibration	≤5 μm(center of table top)			
Power Supply	AC220V, 1Φ, 50Hz			
Opening Height	200mm			
Personnel Protection	A.Total colony in impaction sampler ≤10CFU./time B.Total colony in slot sampler ≤5CFU./time			
Product Protection	Total colony in culture dish ≤5CFU./time			
Cross-contamination Protection	Total colony in culture dish ≤2CFU./time			
Max Consumption (with spare socket)	1.65 kVA	1.70 kVA	1.75 kVA	1.75 kVA
Rated Power (without spare socket)	0.33 kVA	0.38kVA	0.43 kVA	0.43 kVA
Weight	270 kg	310 kg	370 kg	410 kg
Work Dimension (W1xD1xH1)	1004x630x630 mm (39.5"x24.8"x24.8")	1304x630x630 mm (51.3"x24.8"x24.8")	1604x630x630 mm (63.1"x24.8"x24.8")	1804x630x630 mm (71.0"x24.8"x24.8")
Overall Dimension (WxDxH)	1200x795x2050 mm (47.2"x31.3"x80.7")	1500x795x2050 mm (59.1"x31.3"x80.7")	1800x795x2050 mm (70.9"x31.3"x80.7")	2000x795x2050 mm (78.7"x31.3"x80.7")
Size and Qty. of Light	LED 24.5 W x ①	LED 31 W x ①	LED 36 W x ①	LED 36 W x ①
Size and Qty. of UV Light	18 W x ①	30 W x ①	36 W x ①	36 W x ①
Lumin.	≥900 Lx			
Cabinet Materials	High-grade steel and lacquered in ivory			
Working Area Materials	SS304 fully finished			
Air Direction	Top out			
Plug Style	Chinese Type (AC 250V/10A)			
Qty of Spare Socket	Chinese Type (AC 250V/3A) 2 units			

BSC-1301/1302IIA2 Biosafety Cabinet

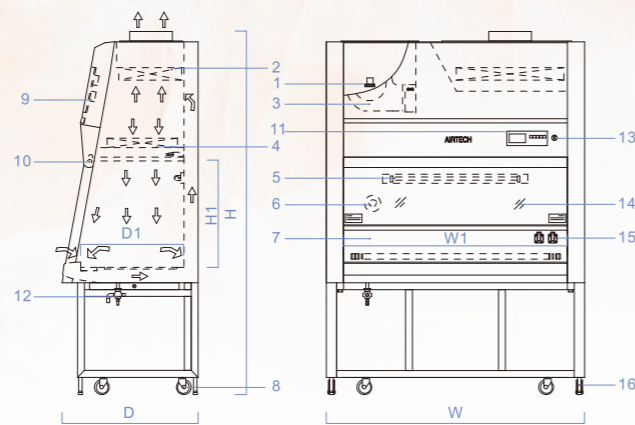


- | | | |
|---------------------|--------------------|------------------------------|
| 1. Power Switch | 6. Pressure Gauge | 11. Control Panel |
| 2. Air Exhaust HEPA | 7. SUS Chamber | 12. Blowoff Valve |
| 3. Fan Unit | 8. Universal Wheel | 13. Sliding Door |
| 4. Air Supply HEPA | 9. Elec. Box | 14. Spare Socket |
| 5. UV Lamp | 10. Light | 15. Adjustable Leveling Foot |

Specification

Model	BSC-1301IIA2	BSC-1302IIA2
Nominal Size	1.3meter (4')	
Filtration Efficiency	HEPA: ≥99.995%, @0.3μm	
Downflow Velocity	0.35 m/s (68.88fpm)	
Inflow Velocity	0.54 m/s (106.27fpm)	
Noise	≤67 dB(A)	
Vibration	≤5μm(center of table top)	
Power Supply	AC115V, 1Φ, 60Hz	AC230V, 1Φ, 50/60Hz
Opening Height	250mm	
Personnel Protection	A.Total colony in impaction sampler ≤10CFU./time B.Total colony in slot sampler ≤5CFU./time	
Product Protection	Total colony in culture dish ≤5CFU./time	
Cross-contamination Protection	Total colony in culture dish ≤2CFU./time	
Max Consumption (with spare socket)	1.5 kVA	/
Rated Power (without spare socket)	1 kVA	0.46 kVA
Weight	300 kg	
Work Dimension (W1xD1xH1)	1270x600x620 mm (50"x23.6"x24.4")	
Overall Dimension (WxDxH)	1500x790x2050 mm (59.1"x31.1"x80.7")	
Size and Qty. of Light	LED 24.5 W x ②	
Size and Qty. of UV Light	15 W x ②	
Lumin.	≥750 Lx	
Cabinet Materials	High-grade steel and lacquered in ivory	
Working Area Materials	SS304 fully finished	
Air Direction	Top out	
Plug Style	USA Type (AC 125V/10A)	/
Qty of Spare Socket	USA Type (AC 125V/2A) 2 units	/

BSC-1003/1303/1603IIA2 Biosafety Cabinet

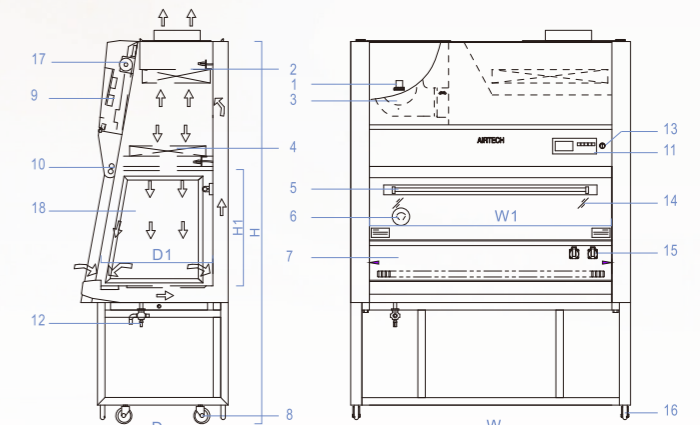


- | | | |
|---------------------|--------------------|------------------------------|
| 1. Power Switch | 7. SUS Chamber | 13. Key |
| 2. Air Exhaust HEPA | 8. Universal Wheel | 14. Sliding Door |
| 3. Fan Unit | 9. Elec. Box | 15. Spare Socket |
| 4. Air Supply HEPA | 10. Light | 16. Adjustable Leveling Foot |
| 5. Light On-duty | 11. Control Panel | |
| 6. Pressure Gauge | 12. Blowoff Valve | |

Specification

Model	BSC-1003IIA2	BSC-1303IIA2	BSC-1603IIA2
Nominal Size	1 meter (3')	1.3meter (4')	1.6meter (5')
Filtration Efficiency	HEPA: ≥99.995%, @0.3μm		
Downflow Velocity	0.35 m/s (68.88fpm)		
Inflow Velocity	0.55 m/s (108.24fpm)		
Noise	≤65 dB(A)		
Vibration	≤5μm(center of table top)		
Power Supply	AC220~240V, 1Φ, 50/60Hz		
Opening Height	200mm		
Personnel Protection	A.Total colony in impaction sampler ≤10CFU./time B.Total colony in slot sampler ≤5CFU./time		
Product Protection	Total colony in culture dish ≤5CFU./time		
Cross-contamination Protection	Total colony in culture dish ≤2CFU./time		
Max Consumption (with spare socket)	1.5 kVA	1.5 kVA	1.8 kVA
Rated Power (without spare socket)	0.50 kVA	0.54 kVA	0.75 kVA
Weight	280 kg	300 kg	320 kg
Work Dimension (W1xD1xH1)	970x600x620 mm (38.2"x23.6"x24.4")	1270x600x620 mm (50"x23.6"x24.4")	1570x600x620 mm (61.8"x23.6"x24.4")
Overall Dimension (WxDxH)	1200x790x2050 mm (47.2"x31.1"x80.7")	1500x790x2050 mm (59.1"x31.1"x80.7")	1800x790x2050 mm (70.9"x31.1"x80.7")
Size and Qty. of Light	LED 24.5 W x ①	LED 31 W x ①	LED 36 W x ①
Size and Qty. of Light on Duty	18 W x ①	30 W x ①	36 W x ①
Lumin.	≥750 Lx		
Cabinet Materials	High-grade steel and lacquered in ivory		
Working Area Materials	SS304 fully finished		
Air Direction	Top out		
Plug Style	Europe Type (AC 250V/10A)		
Qty of Spare Socket	Europe Type (AC 250V/2A) 2 units		

BSC-1003/1303/1603IIA2-SE Biosafety Cabinet



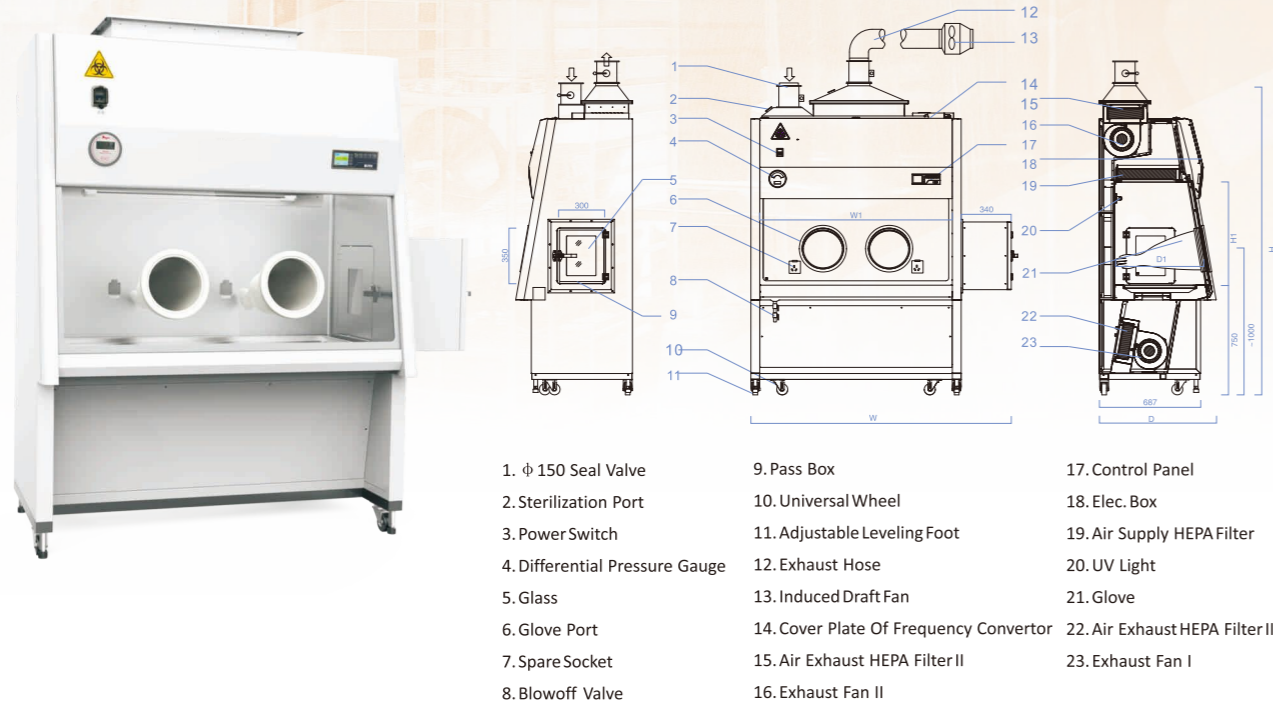
- | | | |
|---------------------|--------------------|------------------------------|
| 1. Power Switch | 7. SUS Chamber | 13. Key |
| 2. Air Exhaust HEPA | 8. Universal Wheel | 14. Sliding Door |
| 3. Fan Unit | 9. Elec. Box | 15. Spare Socket |
| 4. Air Supply HEPA | 10. Light | 16. Adjustable Leveling Foot |
| 5. Light On-duty | 11. Control Panel | 17. Motorized Mechanism |
| 6. Pressure Gauge | 12. Blowoff Valve | 18. Side Glass |

Specification

Model	BSC-1003IIA2-SE	BSC-1303IIA2-SE	BSC-1603IIA2-SE
Nominal Size	1 meter (3')	1.3meter (4')	1.6meter (5')
Filtration Efficiency	HEPA: ≥99.995%, @0.3μm		
Downflow Velocity	0.35 m/s (68.88fpm)		
Inflow Velocity	0.55 m/s (108.24fpm)		
Noise	≤65 dB(A)		
Vibration	≤5μm(center of table top)		
Power Supply	AC220~240V, 1Φ, 50/60Hz		
Opening Height	200mm		
Personnel Protection	A.Total colony in impaction sampler ≤10CFU./time B.Total colony in slot sampler ≤5CFU./time		
Product Protection	Total colony in culture dish ≤5CFU./time		
Cross-contamination Protection	Total colony in culture dish ≤2CFU./time		
Max Consumption (with spare socket)	1.5 kVA	1.5 kVA	1.8 kVA
Rated Power (without spare socket)	0.50 kVA	0.54 kVA	0.75 kVA
Weight	280 kg	300 kg	320 kg
Work Dimension (W1xD1xH1)	970x600x620 mm (38.2"x23.6"x24.4")	1270x600x620 mm (50"x23.6"x24.4")	1570x600x620 mm (61.8"x23.6"x24.4")
Overall Dimension (WxDxH)	1200x790x2050 mm (47.2"x31.1"x80.7")	1500x790x2050 mm (59.1"x31.1"x80.7")	1800x790x2050 mm (70.9"x31.1"x80.7")
Size and Qty. of Light	LED 24.5 W x ①	LED 31 W x ①	LED 36 W x ①
Size and Qty. of Light on Duty	18 W x ①	30 W x ①	36 W x ①
Lumin.	≥750 Lx		
Cabinet Materials	High-grade steel and lacquered in ivory		
Working Area Materials	SS304 fully finished		
Air Direction	Top out		
Plug Style	Europe Type (AC 250V/10A)		
Qty of Spare Socket	Europe Type (AC 250V/2A) 2 units		

BSC-1000/1300/1600/1800III Biosafety Cabinet

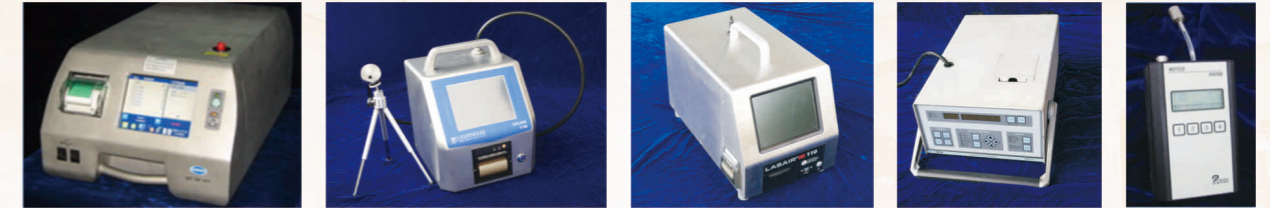
Testing Instrument



- 1. ϕ 150 Seal Valve
- 2. Sterilization Port
- 3. Power Switch
- 4. Differential Pressure Gauge
- 5. Glass
- 6. Glove Port
- 7. Spare Socket
- 8. Blowoff Valve
- 9. Pass Box
- 10. Universal Wheel
- 11. Adjustable Leveling Foot
- 12. Exhaust Hose
- 13. Induced Draft Fan
- 14. Cover Plate Of Frequency Converter
- 15. Air Exhaust HEPA Filter II
- 16. Exhaust Fan II
- 17. Control Panel
- 18. Elec. Box
- 19. Air Supply HEPA Filter
- 20. UV Light
- 21. Glove
- 22. Air Exhaust HEPA Filter I
- 23. Exhaust Fan I

Specification

Model	BSC-1000III	BSC-1300III	BSC-1600III	BSC-1800III
Nominal Size	1 meter (3')	1.3 meter (4')	1.6 meter (5')	1.8 meter (6')
Filtration Efficiency	HEPA: $\geq 99.995\%$, @0.3 μ m			
Negative Pressure	≥ 120 Pa			
Processing Flow	≥ 0.05 m ³ /s			
Noise	≤ 65 dB(A)			
Power Supply	AC220V~240V, 1 ϕ , 50Hz			
Max Consumption (with spare socket)	2.1KVA	2.3KVA	2.5KVA	2.5KVA
Rated Power (without spare socket)	1.0kVA	1.2kVA	1.4kVA	1.4kVA
Weight	350 Kg	420 Kg	490 Kg	540 Kg
Working Dimension (W1XD1XH1)	1000×600×690mm (39.4"×23.6"×27.2")	1300×600×690 mm (51.2"×23.6"×27.2")	1600×600×690 mm (63.0"×23.6"×27.2")	1800×600×690 mm (70.9"×23.6"×27.2")
Overall Dimension (WXDXH)	1470×790×2100mm (27.9"×31.1"×82.7")	1770×790×2100 mm (69.7"×31.1"×82.7")	2070×790×2100mm (81.5"×31.1"×82.7")	2270×790×2100 mm (89.4"×31.1"×82.7")
Qty. of Gloves	2	2	3	4
Size & Qty. of Light	LED 24.5 W×①	LED 31 W×①	LED 36 W×①	LED 36 W×①
Size & Qty. of UV Light	18 W×① ; 8 W×①	30 W×① ; 8 W×①	36 W×① ; 8 W×①	36 W×① ; 8 W×①
Illumination	≥ 650 Lx			
Cabinet Materials	High-grade Steel and lacquered in ivory			
Working Area Materials	SS304 fully finished			
Air Direction	Top out			
Plug Style	Chinese Type (AC 250V/10A)			
Qty of Spare Socket	Chinese Type (AC 250V/3A) 2 units			



Laser Particle Counter(1-3.USA 4. Japan)



Anemometer(1. China 2. Japan 3. USA)

Luxmeter



Aerosol Photometer

PAO Generator

Sound Level Meter

Vibration Meter



Elcometer



Withstand Voltage Tester



Glossmeter



Air Clean Viewer



Air Hood

Application Scene



Production Scene



Product Series



- Biosafety Cabinet
- Clean III Biosafety Cabinet
- Clean Bench
- Battery Clean wagon
- Pass Box
- Clean Hand Wash & Dryer
- Air Shower
- Air Isolation Booth
- Air Partition Booth
- Sampling Room
- Air Filter Unit
- Mini Air Cleaner Unit