

Optical fiber splice closure belongs to the accommodation of the optical fiber fusion splice section system. It is widely applied to the connection of the fiber. Play the roles in sealing, protection, installation of fiber connector head and storage. According to the structure character, the fiber optic splice closure can be classified to the Horizontal and Dome type. We provide various good quality aerial, duct and underground fiber closure, including vertical and horizontal types.

## In-line Horizontal Type Optical Splice Closure

### Introduction

In-line Splice Closure also named Fiber optic joint closure, it is used to distribute, splice, and store the outdoor optical cables which enter and exit from the ends of the optical fiber cable joint closure. Horizontal Fiber optic splice closure is an essential passive component for fiber optic cable management in the fiber-optic network of backbone and access network. The fiber splice closures and the splice trays inside provide strong protection for the spliced fiber joint and fiber cables. Fiber Optic Splice Closure can be installed in aerial, pole mounting, wall mounting, direct buried, and duct mounting, which is used for direct connection during the optical fiber transmission process. With good sealing performance, the simple installation and wide application range are the best choices for optical fiber connection.



### Application

In-line Closure Horizontal fiber optic splice closure are used to distribute, splice, and store the outdoor optical cables which enter and exit from the ends of the closure. The high-quality inline splice closure provides space and protection for the fiber optic cable splicing and joint and capacity from 24~144 core. The horizontal splice closure is with a great sealing performance used in aerial, duct and direct buried application

- Ideal for FTTH/FTTX network
- Outdoor connections
- Distribution networks
- Communication, Cable network system
- Installation application direct buried, aerial, pole mounting and wall mounting
- Excellent Mechanical Sealed to protect fiber and splice ensuring durability

# Fiber Optic Splice Closure

## Operation Features

In-Line fiber Optic Splice Closure is a fiber management product typically provide for good splicing and protection with outdoor fiber optical cables. Inline fiber splice enclosure is used for aerial, underground, pipeline, hand-holes assembling. The Inline type closure is also called Horizontal closure. The input and output are on the both sides. Inline closure is more suitable for backbone application. All the splice closures we offered are with a great sealing performance with the following features:

- IP rating is IP68
- Capacity from 24~288 core
- Cable ports are 4 ports (2Inlets + 2Outlets)
- Used for direct buried, aerial, pole mounting and wall mounting applications
- High reliability
- Advanced internal structure design
- Using a special material that can be repeatedly opened, re-use
- Splice tray easy to installation
- Large operating temperature range

## Mechanical Performance Test compliance:

- Box Material: Modified polymer plastic
- Seal Material: Silicone Rubber
- Cable ports: 4 ports (2Inlets + 2Outlets)
- Splice Trays: 12 or 24 Cores trays
- Capacity: 24~288 Cores
- Appearance size (mm): 478×260
- Weight (kg): 5.5~6.5
- Mechanical Seal: Excellent seal performance, reusable.
- Protection Grade: IP68
- Port seal: Heat shrink seal
- Installation Method: Wall-mounted, Pole mounting, Manhole, Aerial installation
- Work Temperature: -40 °C ~+60°C

## Ordering Information

Product Code	Description
LN-LW-FOSC-H-24	Fiber Optic Splice Closure-Horizontal Type, Splice tray 24F
LN-LW-FOSC-H-36	Fiber Optic Splice Closure-Horizontal Type, Splice tray 36F
LN-LW-FOSC-H-48	Fiber Optic Splice Closure-Horizontal Type, Splice tray 48F
LN-LW-FOSC-H-72	Fiber Optic Splice Closure-Horizontal Type, Splice tray 72F
LN-LW-FOSC-H-96	Fiber Optic Splice Closure-Horizontal Type, Splice tray 96F
LN-LW-FOSC-H-144	Fiber Optic Splice Closure-Horizontal Type, Splice tray 144F
LN-LW-FOSC-H-288	Fiber Optic Splice Closure-Horizontal Type, Splice tray 288F

**Notice: The data in this document are only reference and will be changed without any notice.**  
This specification is intended as a guide only.

## Dome Type Optical Splice Closure

### Introduction

Dome Splice Closure also named Vertical Fiber Optic Splice Closure, it is used to distribute, splice, and store the outdoor optical cables which enter and exit from the ends of the optical fiber cable joint closure. Vertical fiber optic splice closure is an essential passive component for fiber optic cable management in the fiber-optic network of backbone and access network. The fiber splice closures and the splice trays inside provide strong protection for the spliced fiber joint and fiber cables. Fiber optic splice closure can be installed in aerial, pole mounting, wall mounting, direct buried, and duct mounting, which is used for direct connection during the optical fiber transmission process. With good sealing performance, the simple installation and wide application range are the best choices for optical fiber connection.



### Application

Dome Vertical fiber optic splice closure are used to distribute, splice, and store the outdoor optical cables which enter and exit from the ends of the closure. The high-quality dome splice closure provides space and protection for the fiber optic cable splicing and joint and capacity from 24~576 core. The vertical splice closure is with a great sealing performance used in aerial, duct and direct buried application

- Ideal for FTTH/FTTX network
- Outdoor connections
- Distribution networks
- Communication, Cable network system
- Installation application direct buried, aerial, pole mounting and wall mounting
- Excellent Mechanical Sealed to protect fiber and splice ensuring durability

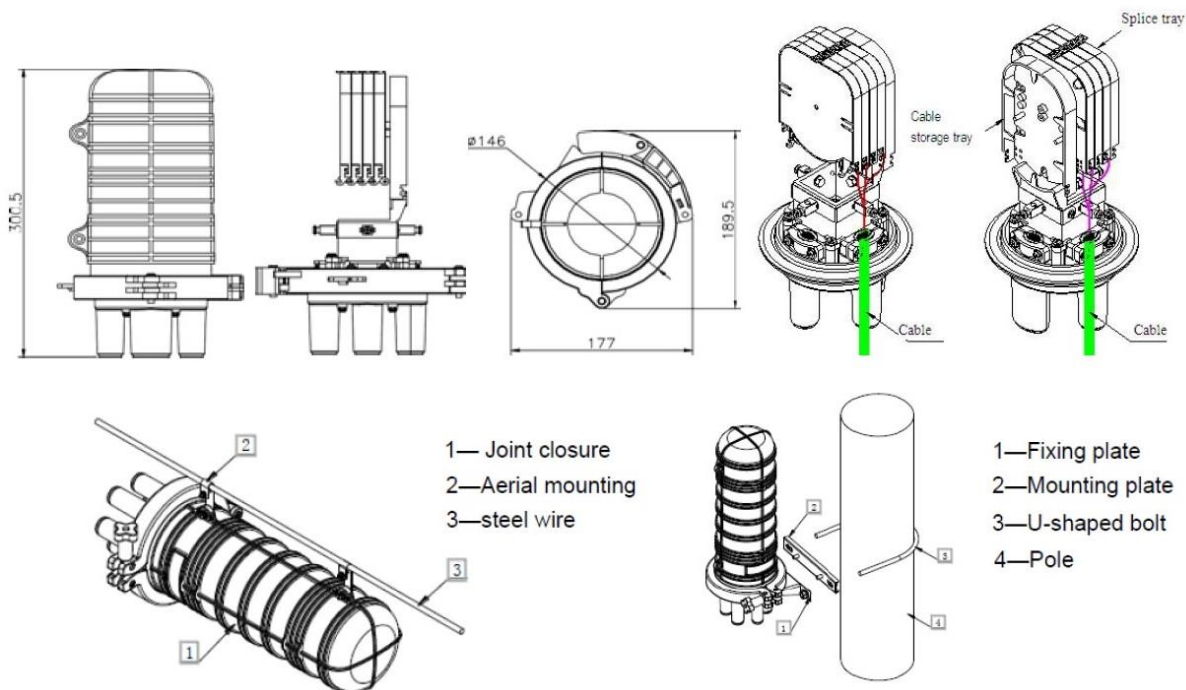
### Operation Features

Dome fiber Optic Splice Closure is a fiber management product typically provide for good splicing and protection with outdoor fiber optical cables. Dome fiber splice enclosure is used for aerial, underground, pipeline, hand-holes assembling. The Dome type closure is also called Vertical closure. The input and output are on the down side. Dome closure is more suitable for backbone application. All the splice closures we offered are with a great sealing performance with the following features:

- IP rating is IP68
- Capacity from 24~576 core
- Cable ports up to 7 ports (1 oval & 6 round)
- Used for direct buried, aerial, pole mounting and wall mounting applications
- High reliability
- Advanced internal structure design
- Using a special material that can be repeatedly opened, re-use
- Splice tray easy to installation

## Mechanical Performance Test compliance:

- Box Material: Modified polymer plastic
- Seal Material: Silicone Rubber
- Cable ports up to 7 ports (1 oval & 6 round)
- Splice Trays: 12 or 24 Cores trays
- Capacity from 24~576 core
- Appearance size (mm): 478×260
- Weight (kg): 5.5~6.5
- Mechanical Seal: Excellent seal performance, reusable.
- Protection Grade: IP68
- Port seal: Heat shrink seal
- Installation Method: Wall-mounted, Pole mounting, Manhole, Aerial installation
- Work Temperature: -40 °C ~+60°C



## Ordering Information

Product Code	Description
LN-LW-FOSC-D-24	Fiber Optic Splice Closure-Dome Type, Splice tray 24F
LN-LW-FOSC-D-36	Fiber Optic Splice Closure-Dome Type, Splice tray 36F
LN-LW-FOSC-D-48	Fiber Optic Splice Closure-Dome Type, Splice tray 48F
LN-LW-FOSC-D-72	Fiber Optic Splice Closure-Dome Type, Splice tray 72F
LN-LW-FOSC-D-96	Fiber Optic Splice Closure-Dome Type, Splice tray 96F
LN-LW-FOSC-D-144	Fiber Optic Splice Closure-Dome Type, Splice tray 144F
LN-LW-FOSC-D-288	Fiber Optic Splice Closure-Dome Type, Splice tray 288F
LN-LW-FOSC-D-432	Fiber Optic Splice Closure-Dome Type, Splice tray 432F

**Notice: The data in this document are only reference and will be changed without any notice.**  
This specification is intended as a guide only.